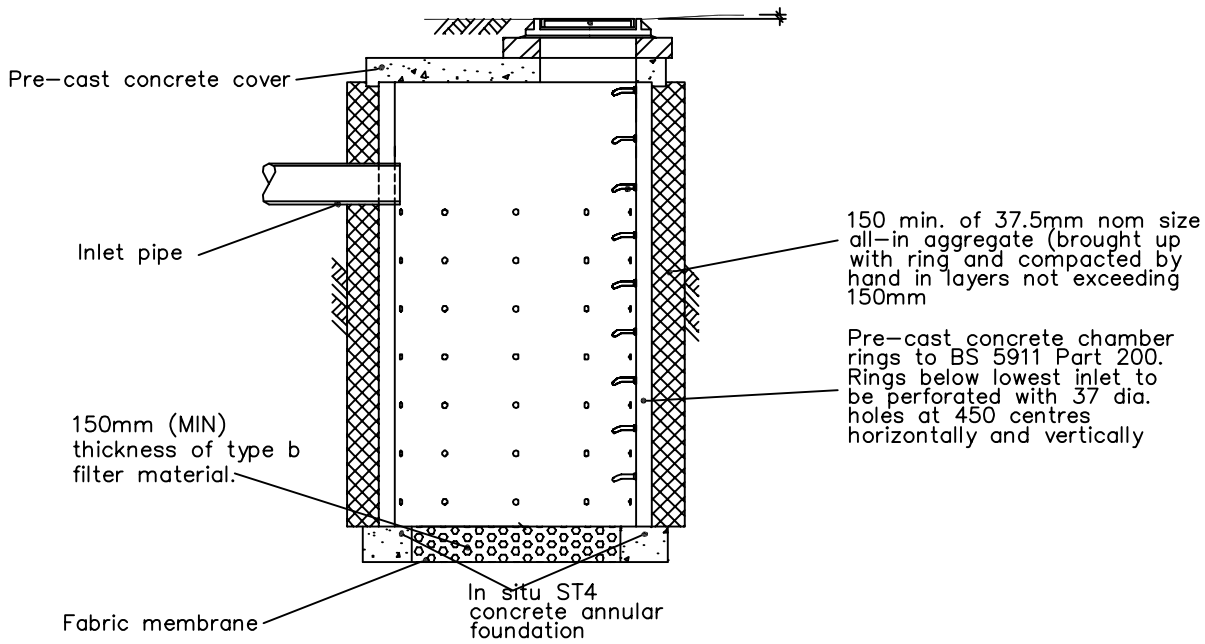


Drainage – Soakaway Chamber Details



Note

- At least one perforated ring must be provided, with more perforated segments required to match depth of permeable strata up to the pipe invert.

BOROUGH OF BROXBOURNE
Paul Cully
Head of Construction Services



Borough Offices
Bishop's College
Churchgate
Cheshunt
Hertfordshire
EN8 9XB
Tel 01992 785 555
Fax 01992 627 183
e-mail construction@broxbourne.gov.uk
Internet www.broxbourne.gov.uk

Drawn By
CJA

Checked By
PC / CF

Date
17/03/10

Scale
NTS

PROPERTY FRONTAGE HARD STANDING OPTIONS -
SOAKAWAY DETAIL

S/AC/CJA/PP

Edition
1

Sheet
3 of 4